

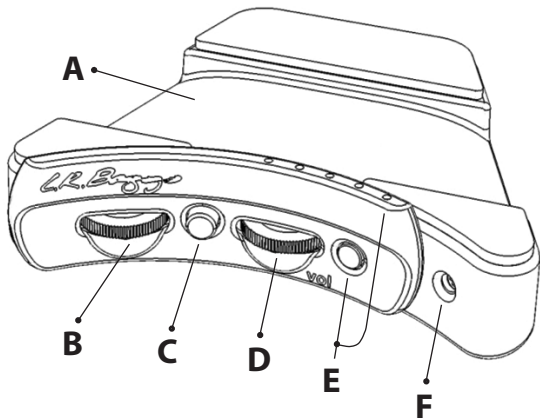
SESSION VTC

Studio Tools for the Stage

User's Guide

L.R. Bagby

U.S. PATENT 7,157,640



A. DYNAMIC EQ

The proprietary, built-in electronics, feature 3 narrowly focused bands of dynamic EQ that combat common problematic frequencies with acoustic guitars. Retaining a completely natural feel, each “touch-sensitive” EQ responds in real-time to your playing dynamics and uncovers your guitar’s unique voice.

B. TONE CONTROL

This EQ control can be used to adjust your tone for the mix. Roll towards the bridge for a rounder tone or towards the neck to add clarity and presence.

C. PHASE INVERSION

Press this button to invert the phase. Usually one phase will sound best and provide the most resistance to feedback. We recommend trying both phases each time you set up.

D. VOLUME CONTROL

Roll towards the neck to increase the volume or towards the bridge to decrease the volume.

E. BATTERY CHECK

Press this button to check the life of the battery.

A full battery will light up all 5 LED's and should give you approximately 170 hours of playing time. When only two lights are lit, you have about 8 hours of normal playing time left. Replace the battery if only one light is lit.

F. ANALOG WARMTH

Similar to highly revered tape and tube gear used by engineers in a studio, the analog saturation trim control adds warmth, enhances dynamics and creates harmonically rich overtones. The factory setting can be adjusted to taste with the provided tool. Turn clockwise to add the effect.

REGISTER THIS PRODUCT
online at **lrbaggs.com**

L.R. Baggs